

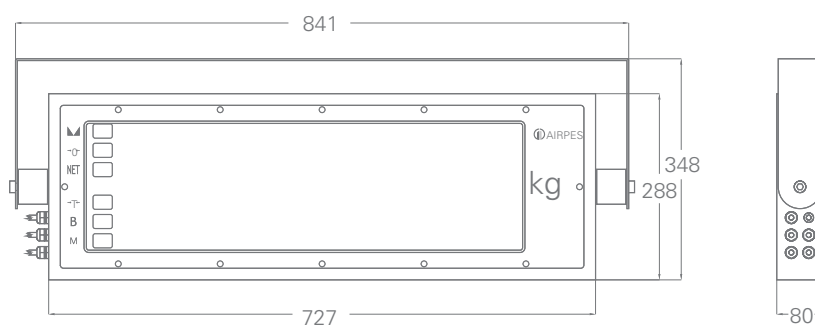
Macro-Display AMR-130



airpes®



Infrared
telecommander



General information

The AMR-130 macro-display has been designed in order to work on mobile structures and with a high degree of vibration, like overhead travelling cranes, arm cranes, crane vehicles, tower cranes, elevators, etc.

For the dimension and luminosity it has in the digits, it allows to visualise both inside and outside from long distances.

This macro-display can incorporate several options like: load limiter, emission and capture of weighing over radio, output computer, operation functions through radio control, etc. Its structure of aluminium and its totally flat design convert it into a light and accessible macro-display, with the purpose to facilitate the maintenance works.

Characteristics

Digits: 5 red LED of 130 mm high

Work temperature: -20°C + 60°C

Functions: On, Off, Tare, Sum, Total and Erase (through telecommander)

Protection: IP 55 (optional IP 65)

Feeding: 48/110/220