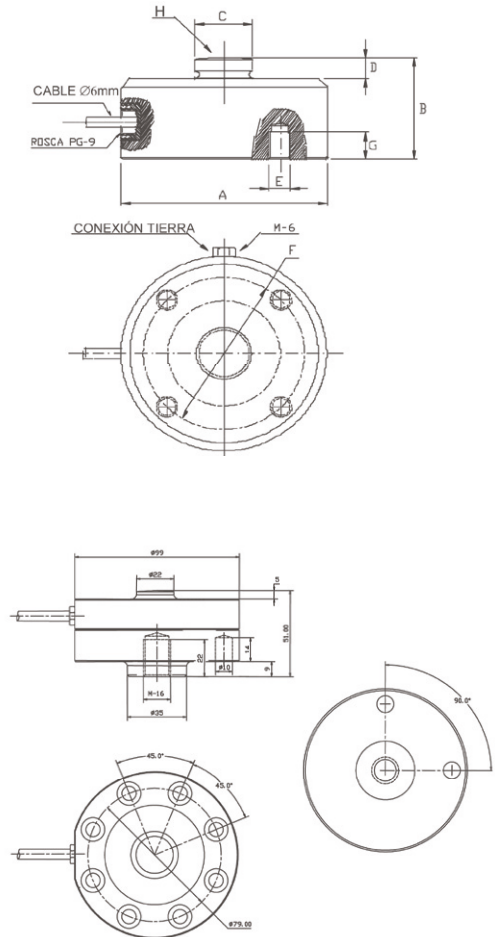


Compression Load Cells BP



Revisión 01 | Reviewed by JN

airpes®



Capacidad/ Capacity	A	B	C	D	E	F	G	H
2 / 3 / 5 t.	90	48	25	13	4xM-10	70	12	95
10 / 15 / 20 t.	115	60	32	13	4xM-12	90	16	150
30 / 50 t.	155	90	44	16	4xM-16	125	20	260

Model BP

General information:

The BP model of load cells have been specially designed to work with compression with element detecting a shear or double shear.

Construction in alloyed steel and anticorrosive treatment of chemical nickel.

3,000 OIML-R60 divisions

Leak-tightness IP-66

Capacities from 750Kg to 50T

Available in stainless steel.

Characteristics:

Class of precision: C3

Sensitiveness: $2 \pm 0,1\% mV/V$

Vmin: $E_{max}/10000$

Voltage of feeding: $5 \div 15V$

Resistance at input: $390 \pm \delta$ para DC 760 Ω

Resistance at output: $350 \pm \delta$ para DC 700 Ω

Compensated margin of

temperature: $-10^{\circ}C$ a $+40^{\circ}C$

Resistance of insulation: $>5000M$