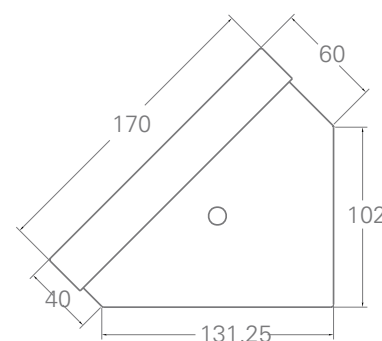
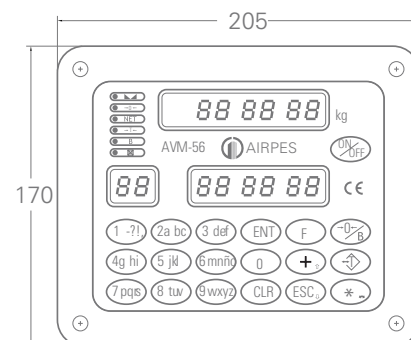


Load Indicator AVM-56



Revisión 01 | Reviewed by JN

airpes®



General information

The AVM-56 model of load indicator has been designed to control whichever scale, platform, loading cell or groups of loading cells.

It has a numeric keyboard of 18 keys and 3 LED visors of 0.56" with 6, 2 and 6 digits respectively. Optionally it can incorporate output for repeater of weight, RS-232-C, RS-485/422, output for printer, transmission/reception by radio, limits of power cut, various inputs and outputs, conversor of alignment of scales, etc.

Characteristics

- 1 entry of scale or loading cell
- Memorisation of codes
- Conversor of alignment of scales
- Option inputs/outputs (limiter, doser, etc.)
- Option RS-232-C
- Option RS-485/422
- Option control maximum Peak
- Option piece counter
- Option support for fixation on wall or ceiling
- Feeding 110V or 220V AC (optionally fed with internal battery)
- Temperature: -10°C + 50°C ; Humidity 15% - 85%