

Load Indicator ARR-100

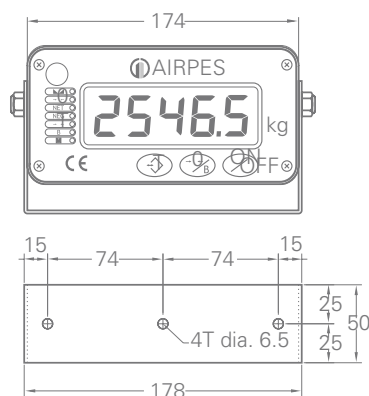
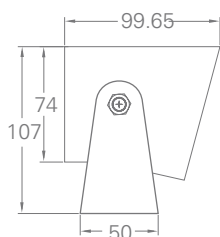


Revisión 01 | Reviewed by JN

airpes®



Telemando Infrarrojos



Cargador

General information

The ARR-100 load indicator has been designed to be installed as a desk, wall, ceiling, repeating, etc. visor. It is an adequate device for the control of entering and leaving of products, storage control, stock checking, etc.

Receiving the signal from a scale over the radio, or from an Airpes device over the radio.

The ARR-100 has different options, like the incorporation of an infrared commander, RS-232-C output, RS-485 output, indicator of maximum peak, etc.

Characteristics

Digits: 5 LCD 1" (option LED 1")

Work temperature: -20°C + 60°C

Functions: On / Off, Zero, Tare, Sum, Total and Erase (through telecommander)

Protection: IP 55 (optional IP65)

Feeding: 8.4V DC or 110... 220V AC