

Macro-Display AMR-240

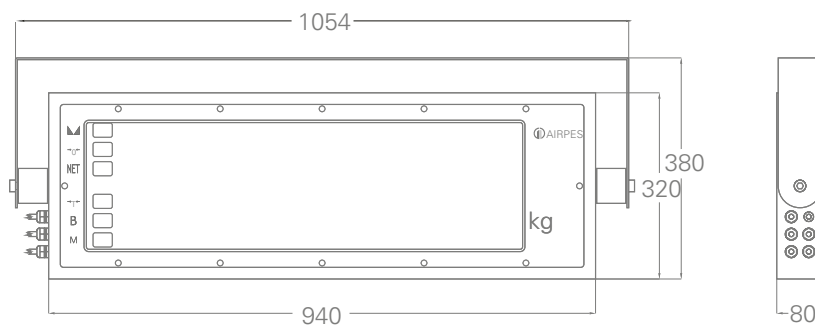
Revisión 01 | Reviewed by JN



airpes®



Infrared
telecommander



General information

The AMR-240 Macro-display has been designed in order to work on mobile structures and with a high degree of vibration, like overhead travelling cranes, arm cranes, crane vehicles, tower cranes, elevators, etc.

For the dimension and luminosity it has in the digits, it allows to visualise both inside and outside from long distances.

This macro-display can incorporate several options like: load limiter, emission and capture of weighing over radio, output computer, operation functions through radio control, etc.

Its structure of aluminium and its totally flat design convert it into alight and accessible macro-display, with the purpose to facilitate the maintenance works.

Characteristics

Digits: 5 red LED of 240 mm high

Work temperature: -20°C + 60°C

Functions: On, Off, Tare, Sum, Total and Erase (through telecommander)

Protection: IP 55 (optional IP 65)

Feeding: 48/110/220